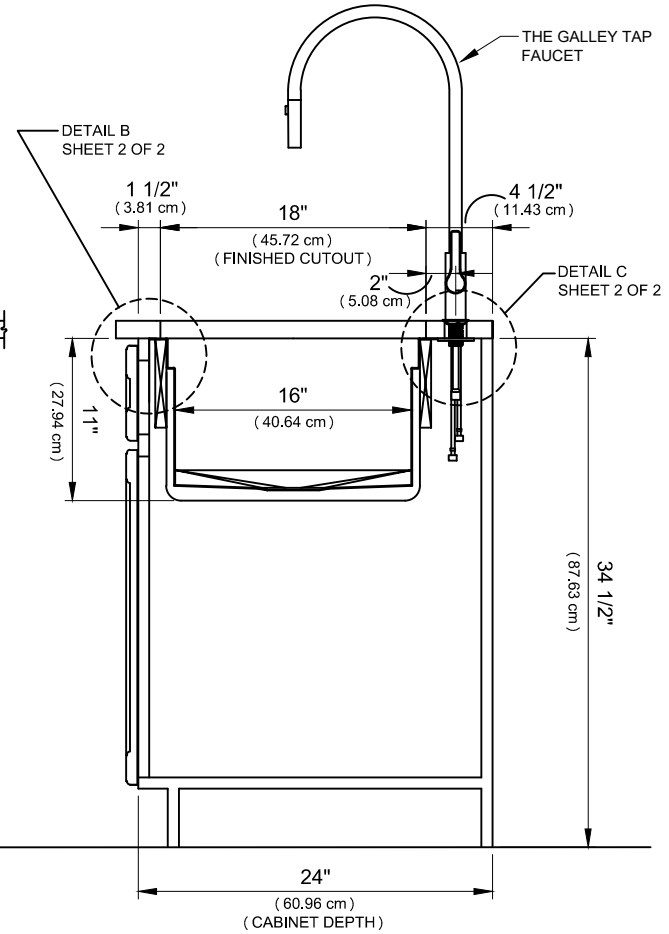
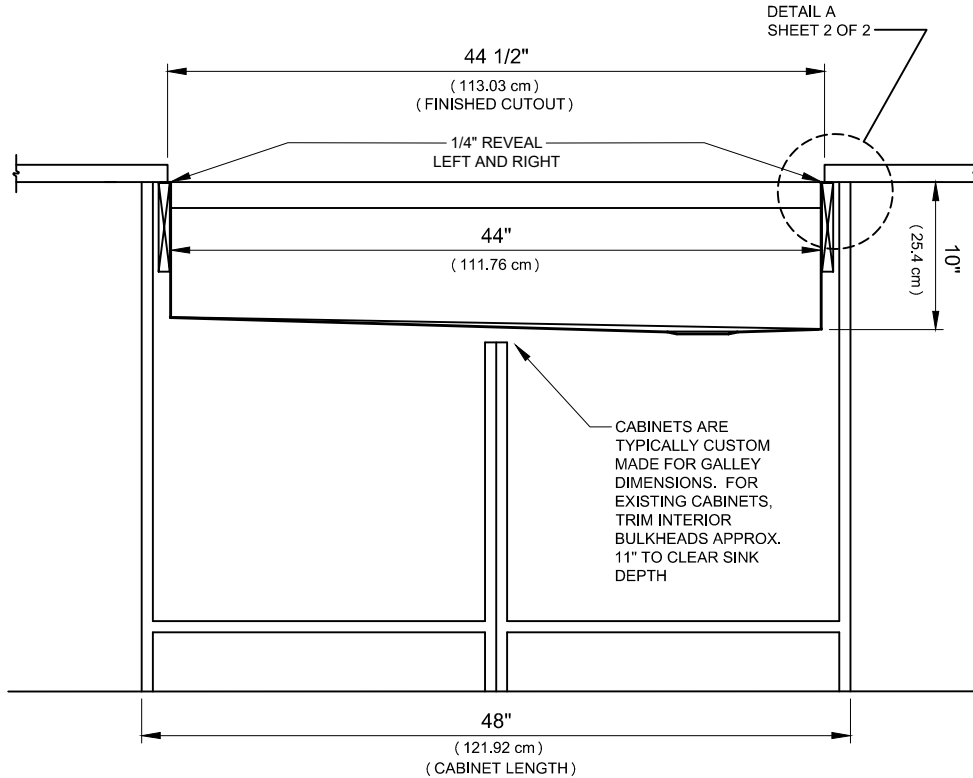
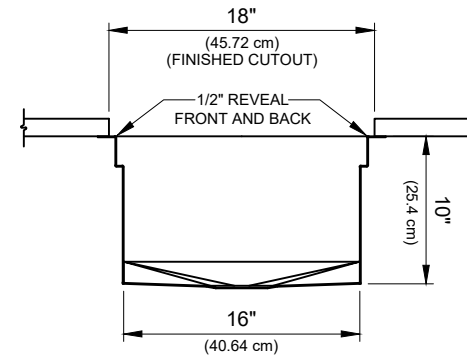
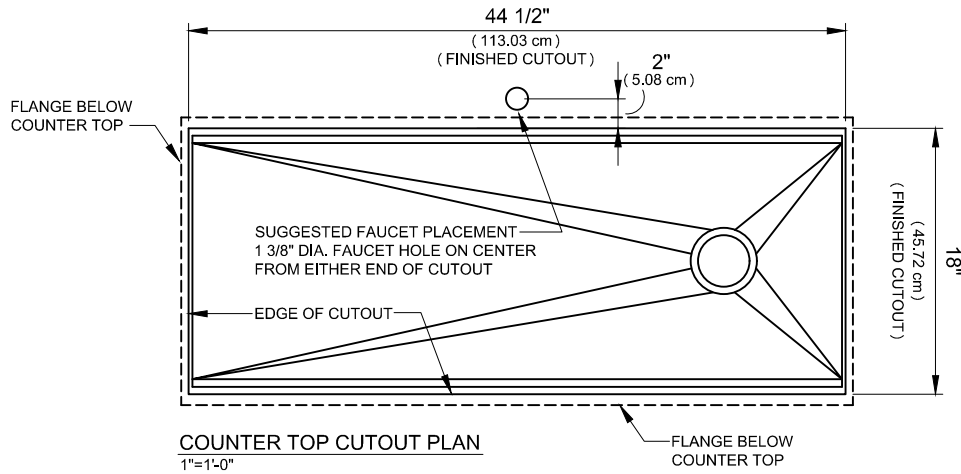


**IDEAL WORKSTATION 4 - SINGLE BOWL** (IWS 4-S)  
**INSTALLATION & COUNTER TOP CUTOUT**



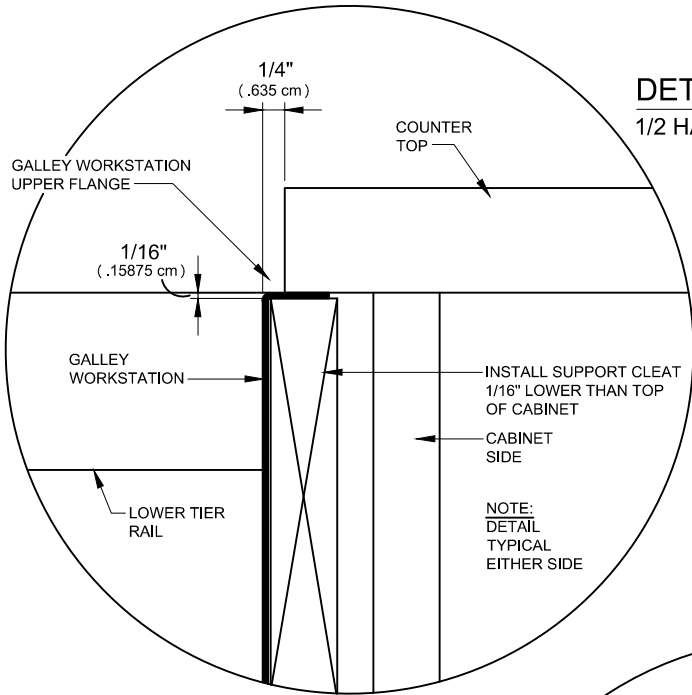
**INSTALLATION AND COUNTER TOP CUTOUT DETAIL**  
 SHEET 1 OF 2

STAINLESS STEEL COMPLIANCE ASME A112.19.3-2008/CSA B45.4-08

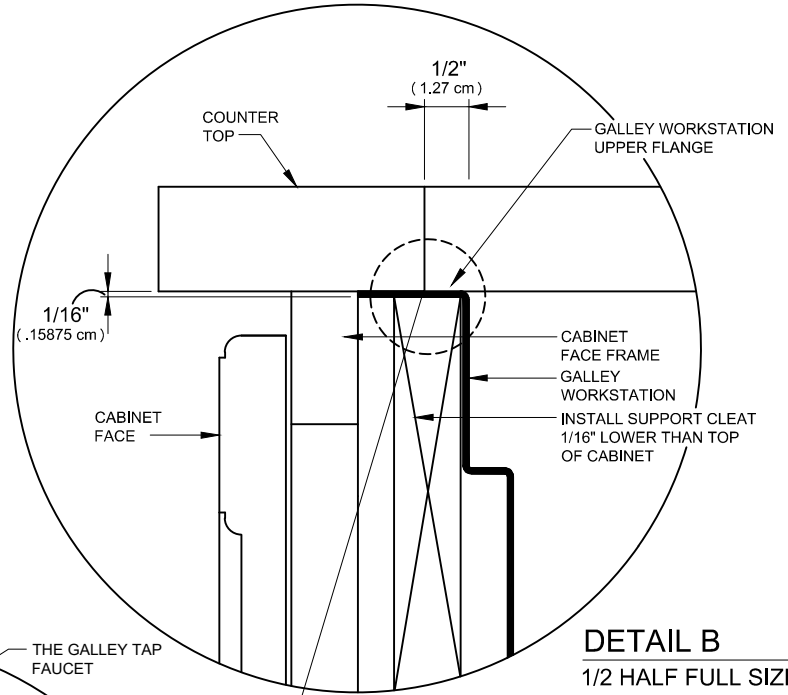
WE RESERVE THE RIGHT TO MAKE REVISIONS WITHOUT NOTICE IN THE DESIGN OF PRODUCTS OR IN PACKAGING UNLESS THIS RIGHT HAS SPECIFICALLY BEEN WAIVED AT THE TIME THE ORDER IS ACCEPTED.

**IWS-4-S**  
 SINGLE BOWL

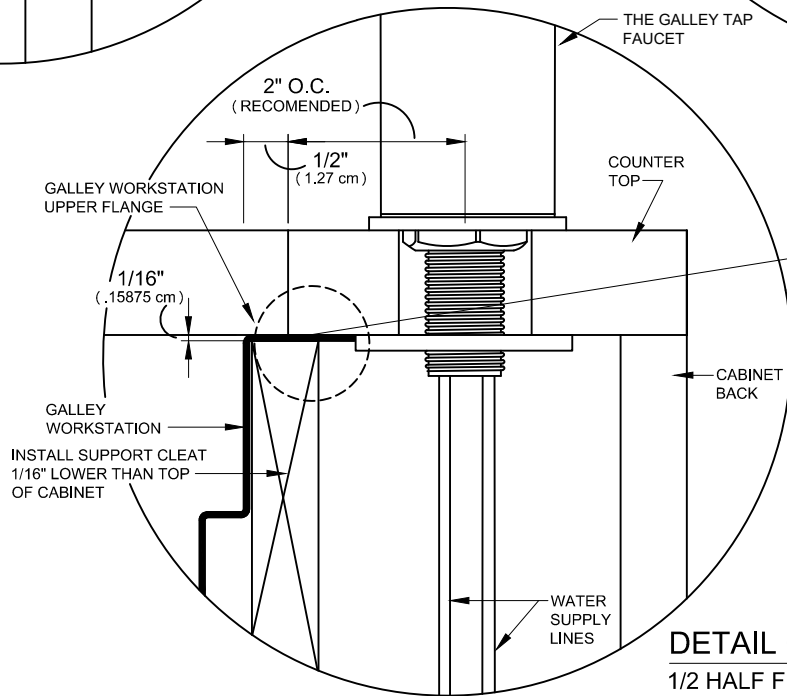
**THE GALLEY**  
 REINVENT YOUR KITCHEN  
 THEGALLEY.COM



**DETAIL A**  
**1/2 HALF FULL SIZE**



**DETAIL B**  
**1/2 HALF FULL SIZE**



**DETAIL C**  
**1/2 HALF FULL SIZE**

- FOR A SILICONE-FREE FLANGE:**
1. COVER WHAT WILL BE THE EXPOSED 1/2" OF TOP FLANGE WITH TAPE.
  2. APPLY A HEAVY BEAD OF SILICONE TO THE UN-TAPED PART OF THE FLANGE.
  3. SET THE COUNTER TOP, PRESS DOWN ONTO THE FLANGE. THE SILICONE SHOULD FILL ANY GAPS.
  4. WIPE EXCESS SILICONE OFF OF EXPOSED FLANGE.
  5. REMOVE TAPE

**IWS-4-S**  
**SINGLE BOWL**

**INSTALLATION AND COUNTER TOP CUTOUT DETAIL**  
**SHEET 2 OF 2**

**STAINLESS STEEL COMPLIANCE ASME A112.19.3-2008/CSA B45.4-08**

WE RESERVE THE RIGHT TO MAKE REVISIONS WITHOUT NOTICE IN THE DESIGN OF PRODUCTS OR IN PACKAGING UNLESS THIS RIGHT HAS SPECIFICALLY BEEN WAIVED AT THE TIME THE ORDER IS ACCEPTED.